

Transformer Rectifier 24v Door Retainer

Power Supply Units

The Transformer Rectifier (TR) range has been specifically designed for fire and access control applications that require remote control of the power supply output.

Honeywell's enhanced TR range of power supplies have been specifically designed for access control applications that require remote control of the power supply output. TR power supply units are typically used to power door retainers with a link to the fire panel in order to switch off the output to the doors upon the activation of a fire alarm.

The units have an expanded range of input options which includes the detection of a normally closed contact going open to provide a fully fail safe operation mode.



TECHNICAL SPECIFICATION		
	TR 2amp	TR 4amp
Input:		
Voltage	230Vac, 50Hz nominal	
Current	290mA maximum	500mA maximum
Mains input fuse	T0.5A 20mm, 250Vac HBC	T1.0A 20mm, 250Vac HBC
Output:		
Voltage	22- 30vdc dependent on load	
Load Current	2A maximum	4A maximum
Load output fuse	F2A 20mm, 250Vac glass	F4A 20mm, 250Vac glass
Mechanical:		
Case material	1.2mm steel, white powder coated	
Dimensions (HxWxD)	200 x 230 x 80mm	
Weight	3.0Kg	3.5Kg

The three input options for remote control of the output are as follows

- Opening of a normally closed volt-free contact
- Closing of a normally open volt-free contact
- Application of an external 24V dc supply such as a sounder circuit

LED status indicators provide quick diagnostics showing the presence of a mains input and output fuse failure.

KEY FEATURES

- Remote control of output
- Choice of switching options
- LED indication
- Mains transient protection
- Fail safe operation

TECHNICAL SPECIFICATIONS

TR2amp and TR 4amp

Environmental:

Temperature - operating -10 to +40 OC 95%

Temperature - storage -20 to +80 OC

Connections:

DOOR + and - Switched _24v to door retainer magnet

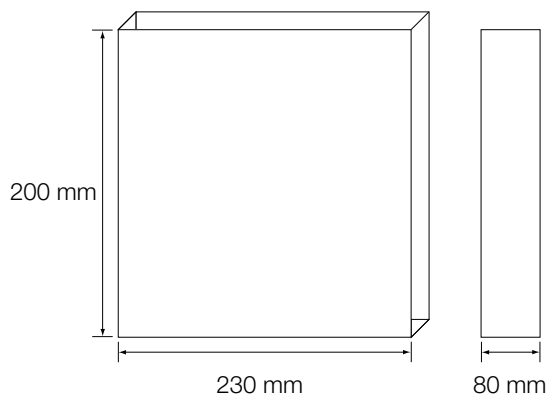
Control Contact
Open circuit = PSU output ON
Short circuit = PSU output OFF

Ext Supply + and - Apply +24vdc to switch OFF PSU output

Indicators:

Green LED Mains present

Amber LED Output fuse blown



ORDER CODES

Model:	Description:
HLS-PSU-TR20	Door Hold Transformer-Rectifier 24V 2A
HLS-PSU-TR40	Door Hold Transformer-Rectifier 24V 4A
04390-31	Magnet Door Holder 24V DC 22mA
04390-41	Magnet Door Holder floor mounted 24V DC 45mA
04390-55	Magnet Door Holder 240V AC 17.5mA
04390-92	Door Holder Floor Plate; fixing door holder at right angle to floor
04390-99	Door Plate Assembly (Spare), Door Keeper Plate in two pieces

Honeywell

Tel: +44 (0) 116 246 2000

Fax: +44 (0) 116 246 2300

Email: hlsuksalesupport@honeywell.com

140 Waterside Road

Hamilton Industrial Park

Leicester

LE5 1TN

October 2015

© 2015 Honeywell International Inc.

Honeywell